

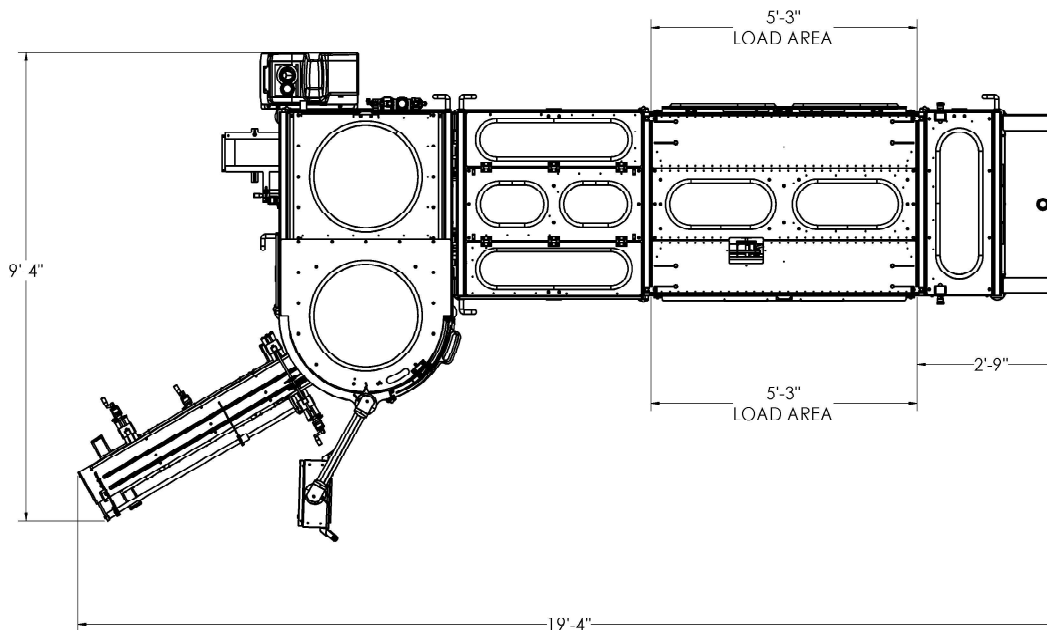
SVC SERIES

VERTICAL CARTONER



The Overview

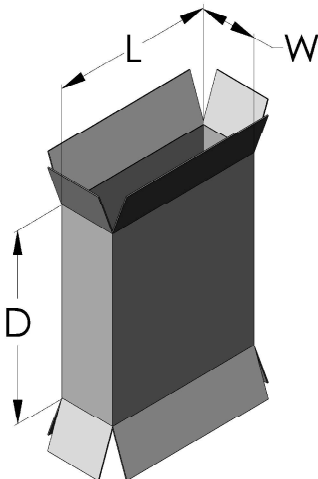
The **SVC Series** of vertical cartoners was designed with today's manufacturing in mind: flexibility, ease of use, and reliability. The machine can be converted from automatic product-loading to manual hand-loading in under two minutes. This machine comes standard with a generous carton size range and built-in features to enable fast, reliable change-over through a recipe driven operator interface. The SVC vertical cartoner accommodates a wide range of products from pet food, pasta, rice, confectionery to detergent, kitty litter, and pouches.



Standard Machine Features

- Precision welded steel frame with powder coat finish
- A/B Kinetix 5500 servo-driven motion
- A/B Compactlogix PLC
- 3-head rotary style carton feeder
- 5' powered adjustable carton magazine
- All product contact surfaces are 304 stainless steel
- Interlocked barrier guarding with full access
- 10" color touchscreen for operator interface
- Rapid change-over design
- Seko electronic digital position indicators
- Toolless change-over for carton pocket and product funnel
- Open frame design for easy cleaning
- Fully convertible for all types of product loading:
 - hand load
 - volumetric cup fillers
 - net weight scale systems
 - auger fillers
 - belt feeders
 - tilt tray conveyor
- Speeds up to 300 cpm

Standard Carton Size Range



machine center		L x W x D (inches)
11.25"	MIN	2" x 1.0" x 4.5"
	MAX	8" x 4.5" x 10.5"
8.75"	MIN	2" x 1.0" x 4.5"
	MAX	6.75" x 4.5" x 10.5"
7.5"	MIN	2" x 1.0" x 4.5"
	MAX	5.5" x 4.5" x 10.5"