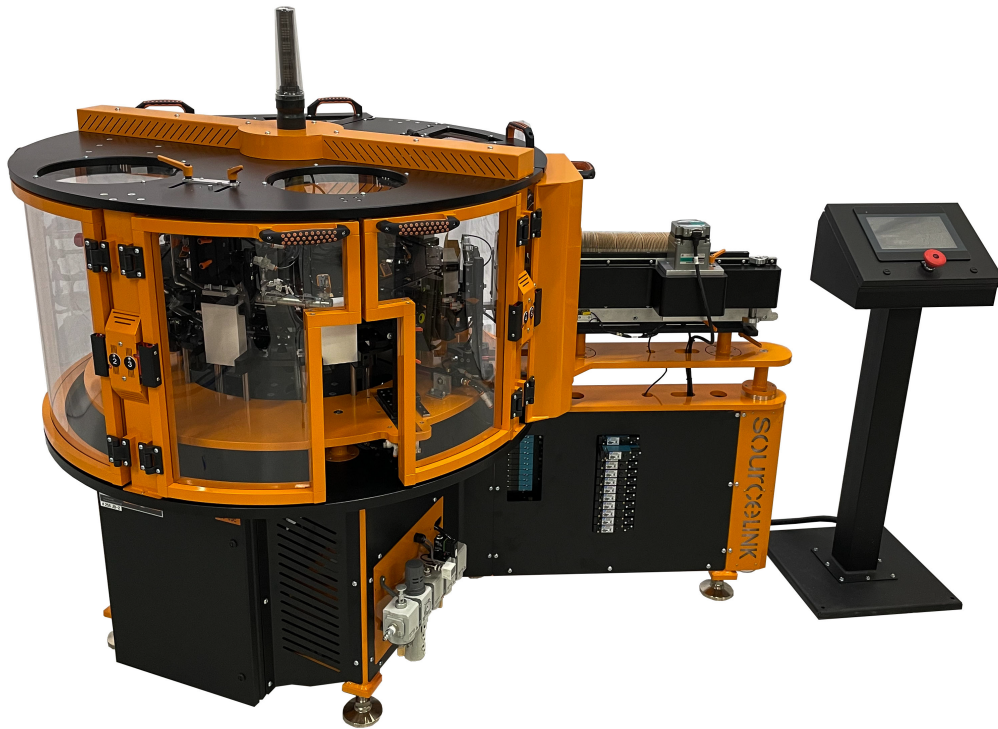


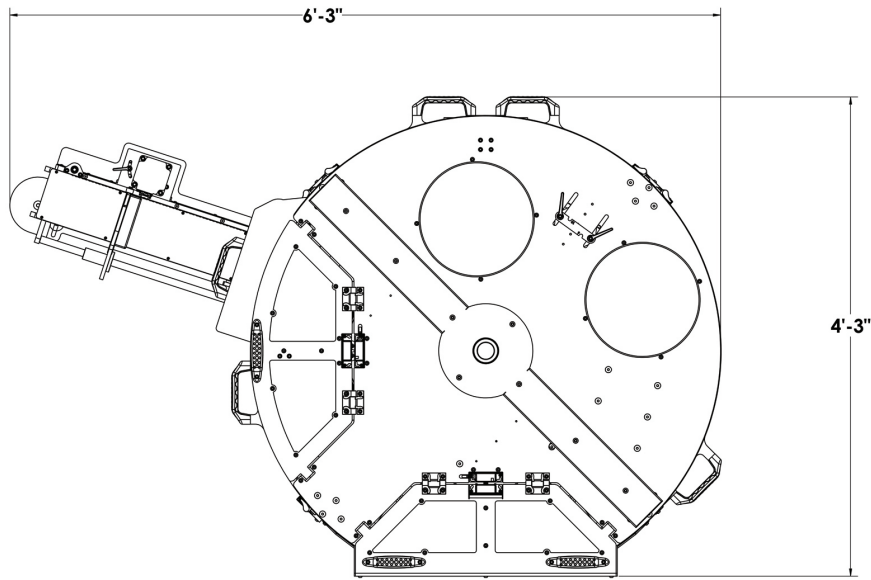
RVC SERIES

VERTICAL CARTONER



The Overview

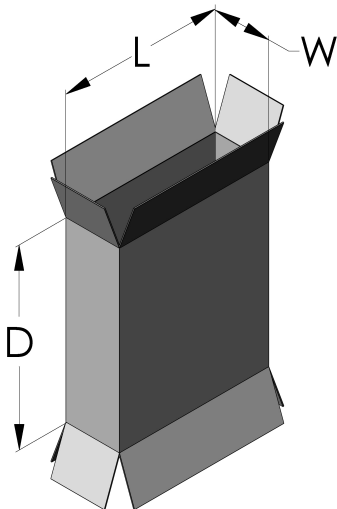
The RVC Series Vertical Cartoner is the most compact fully automatic cartoner on the market. This innovative machine offers customers total flexibility in a cost-effective minimal footprint that is capable of running glued, tuck, and auto-bottom carton designs. The RVC offers a wide range of product infeed options (including but not limited to stick pouch collations, robotic bottle loading, volumetric filling, scale and count systems) and serves a wide spectrum of industries such as food, nutraceutical, personal care, confectionery, and pharmaceutical.



Standard Machine Features

- Compact footprint
- Precision steel frame with powder coat finish
- 10 stations on dial with Servo-driven motion
- Reciprocating carton feeder
- 3' powered adjustable carton magazine
- All product contact surfaces are 304 stainless steel
- Interlocked barrier guarding with full access
- Rapid change-over design
- Optional tool-less change-over for carton pocket
- Optional horizontal carton loading
- A/B Compactlogix PLC
- 10" color touchscreen for operator interface
- Fully convertible for all types of product loading:
 - hand load
 - robotic loading
 - volumetric cup fillers
 - net weight scale systems
- Speeds up to 45 cpm

Standard Carton Size Range



L x W x D (inches)

MIN
MAX

2 x .75 x 3
5 x 4 x 8